

**Espacenet****Bibliographic data: USD604258 (S1) — 2009-11-17**

---

**Multifunctional terminal**

**Inventor(s):** RINALDI ALESSANDRA [IT]; TANABE YOKO [IT]; UGOLINI ROBERTO [IT] ±

**Applicant(s):** BPT SPA [IT] ±

**Classification:** - **international:**  
- **European:**

**Application number:** US20080308428F 20080617

**Priority number (s):** US20080308428F 20080617; IT2007TV00002F 20070802; US20070289818F 20070802

**Abstract not available for USD604258 (S1)**

Last updated: 14.03.2012 Worldwide Database 5.7.38; 93p

USPTO PATENT FULL-TEXT AND IMAGE DATABASE

[Home](#) [Quick](#) [Advanced](#) [Pat Num](#) [Help](#)  
[Hit List](#) [Previous](#) [Next](#) [Bottom](#)  
[View Cart](#) [Add to Cart](#)  
[Images](#)

( 2 of 11 )

United States Patent  
*Rinaldi , et al.*

**D569,821**  
**May 27, 2008**

\*\*Please see images for: ( Certificate of Correction ) \*\*

Video-intercommunication apparatus

**Claims**

CLAIM The ornamental design for video-intercommunication apparatus, as shown and described.

**Inventors:** *Rinaldi; Alessandra* (Florence, IT), *Tanabe; Yoko* (Florence, IT)  
**Assignee:** BPT S.p.A. (Sesto Reghena, IT)  
**Appl. No.:** D/291,610  
**Filed:** September 6, 2007

**Related U.S. Patent Documents**

<u>Application Number</u>	<u>Filing Date</u>	<u>Patent Number</u>	<u>Issue Date</u>
29265304	Aug., 2006		

**Foreign Application Priority Data**

Mar 14, 2006 [IT]	TV2006O0008
-------------------	-------------

**Current U.S. Class:**

**D14/130**

**Current International Class:**

1403

**Field of Search:**

D14/130,147-151,140-142,434,329,330,447,240,241,251,253 379/420.01-420.04,419,428.01-428.04,454,440,434,435,446  
320/110,113-115 D13/107,108



US00D569820S

(12) **United States Design Patent** (10) **Patent No.:** **US D569,820 S**  
**Rinaldi et al.** (45) **Date of Patent:** **\*\* May 27, 2008**

- (54) **VIDEO-INTERCOMMUNICATION APPARATUS** D298,828 S 12/1988 Miozzo
- D339,342 S \* 9/1993 Chan ..... D14/149
- D355,191 S 2/1995 Meurer
- (75) Inventors: **Alessandra Rinaldi**, Florence (IT); 5,475,741 A \* 12/1995 Davis et al. .... 379/102.06
- Yoko Tanabe**, Florence (JP) D391,254 S 2/1998 Rosati et al.
- D421,603 S \* 3/2000 Meurer ..... D14/130
- (73) Assignee: **BPT S.p.A.**, Sesto Reghena (IT) D437,588 S 2/2001 Jauregui et al.
- D457,866 S 5/2002 Matsui et al.
- (\*\*) Term: **14 Years** D494,955 S 8/2004 Guerrero et al.
- D495,313 S 8/2004 Guerrero et al.
- (21) Appl. No.: **29/291,598** D499,705 S \* 12/2004 Guerrero et al. .... D14/130
- D500,479 S \* 1/2005 Senda et al. .... D14/130
- (22) Filed: **Sep. 6, 2007** D525,160 S \* 7/2006 Kurata ..... D10/104

**Related U.S. Application Data**

- (62) Division of application No. 29/265,304, filed on Aug. 29, 2006.

**Foreign Application Priority Data**

- (30) Mar. 14, 2006 (IT) ..... TV2006O0008

- (51) **LOC (8) Cl.** ..... **14-03**
- (52) **U.S. Cl.** ..... **D14/130**
- (58) **Field of Classification Search** ..... D14/130,  
D14/147-151, 140-142, 434, 329, 330, 447,  
D14/240, 241, 251, 253; 379/420.01-420.04,  
379/419, 428.01-428.04, 454, 440, 434,  
379/435, 446; 320/110, 113-115; D13/107,  
D13/108

See application file for complete search history.

**References Cited**

- (56) **U.S. PATENT DOCUMENTS**
- 3,521,008 A 7/1970 Tyson
- D246,103 S 10/1977 Taylor

\* cited by examiner

*Primary Examiner*—Terry A Wallace

(74) *Attorney, Agent, or Firm*—Greer, Burns & Crain, Ltd

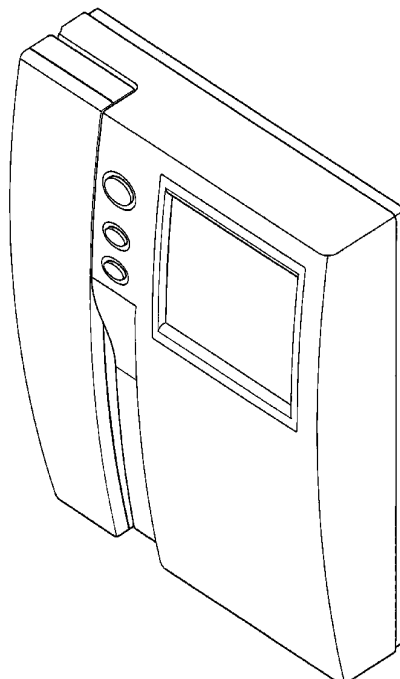
**CLAIM**

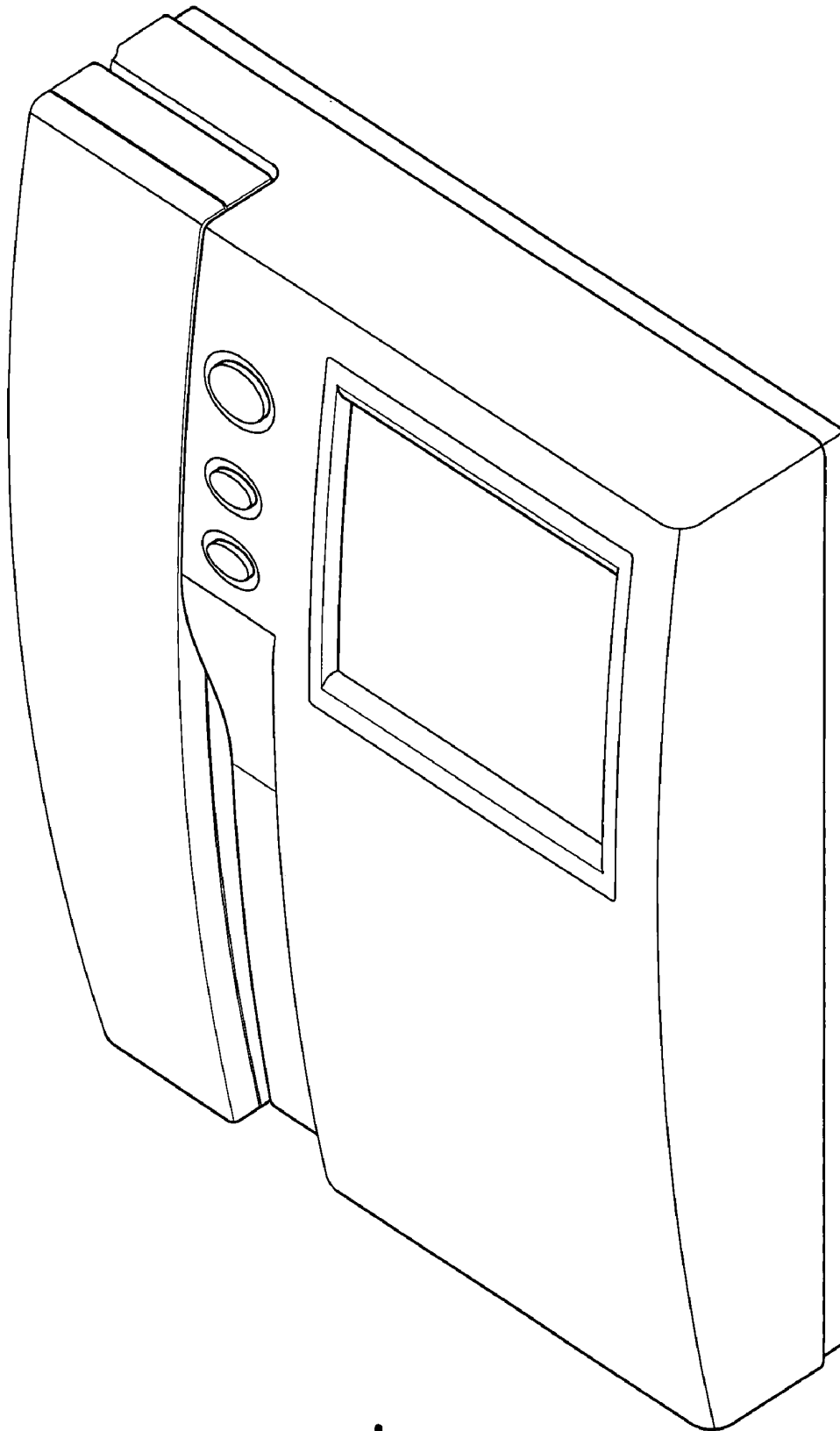
(57) The ornamental design for video-intercommunication apparatus, as shown and described.

**DESCRIPTION**

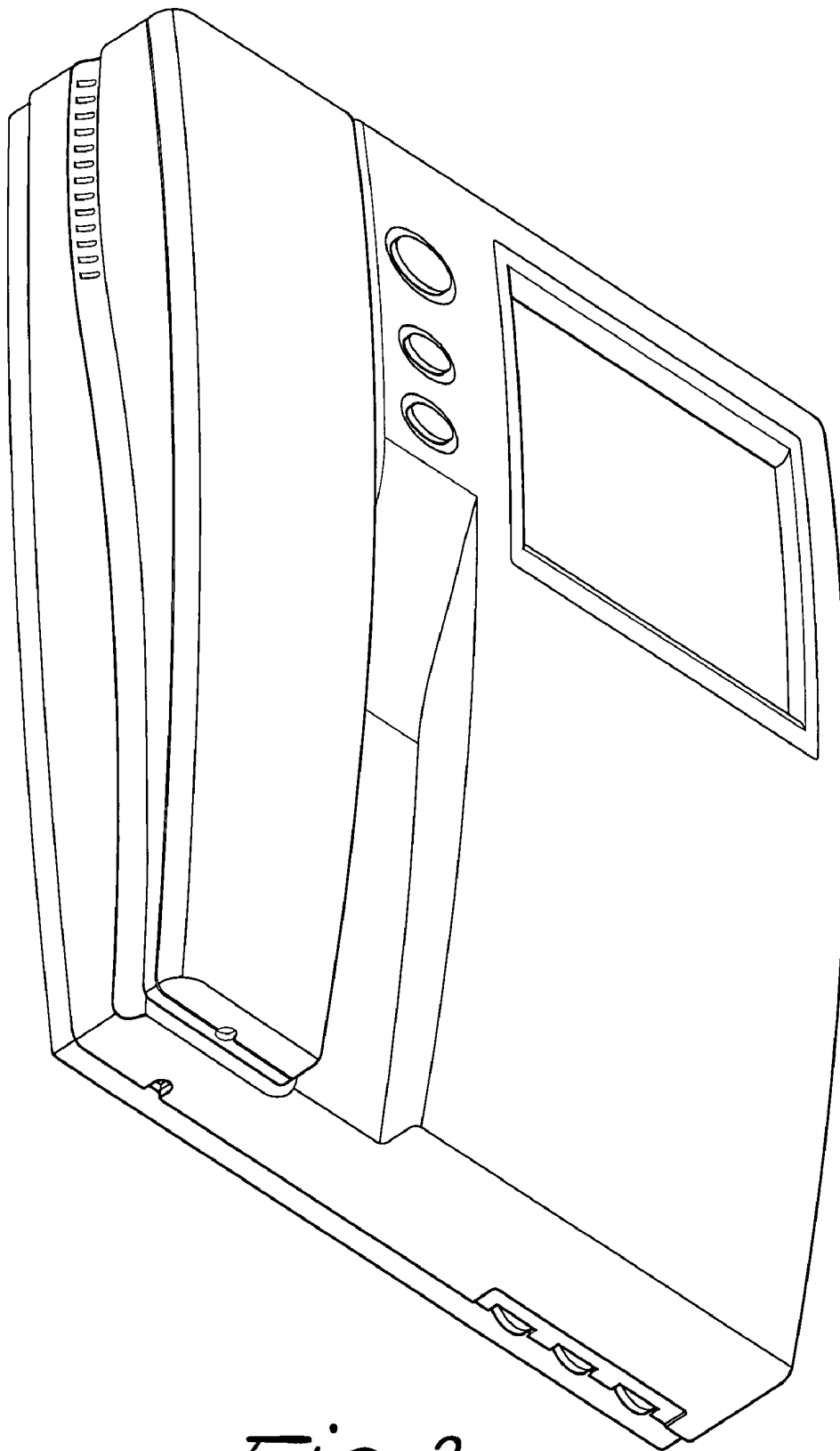
FIG. 1 is a top perspective view of the video-intercommunication apparatus showing our new design;  
 FIG. 2 is a perspective view from below thereof;  
 FIG. 3 is a front view thereof;  
 FIG. 4 is a right side view thereof;  
 FIG. 5 is a left side view thereof;  
 FIG. 6 is a plan view from above thereof; and,  
 FIG. 7 is a plan view from below thereof.

**1 Claim, 5 Drawing Sheets**

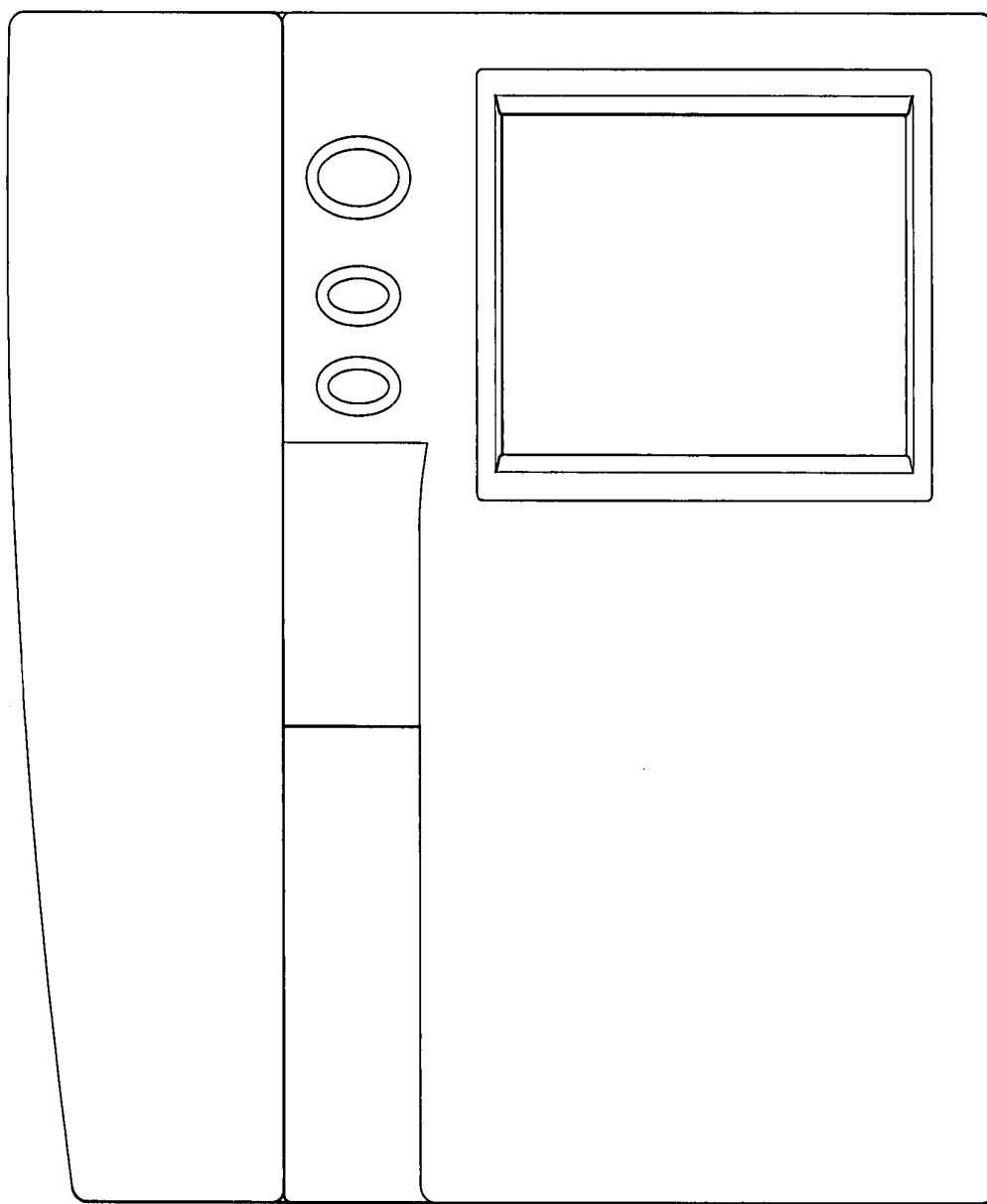




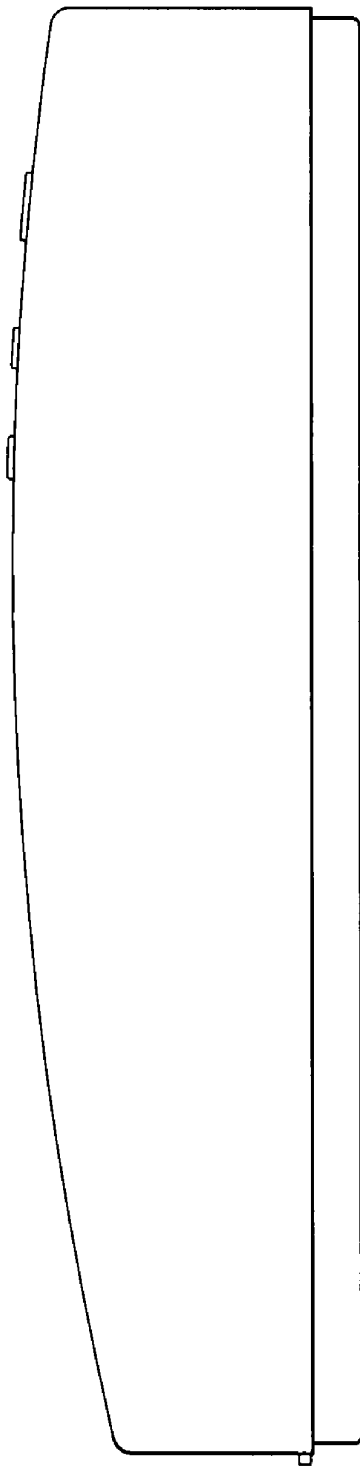
*Fig. 1*



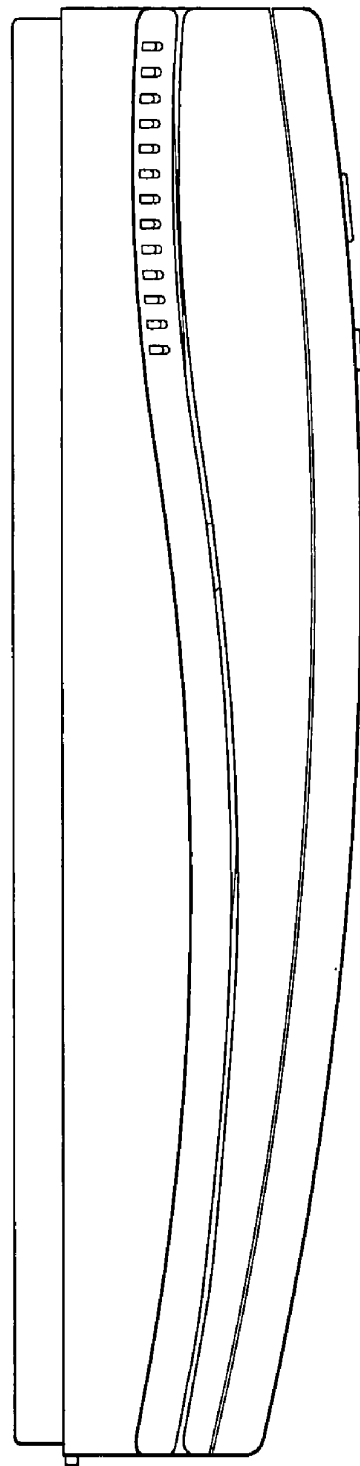
*Fig. 2*



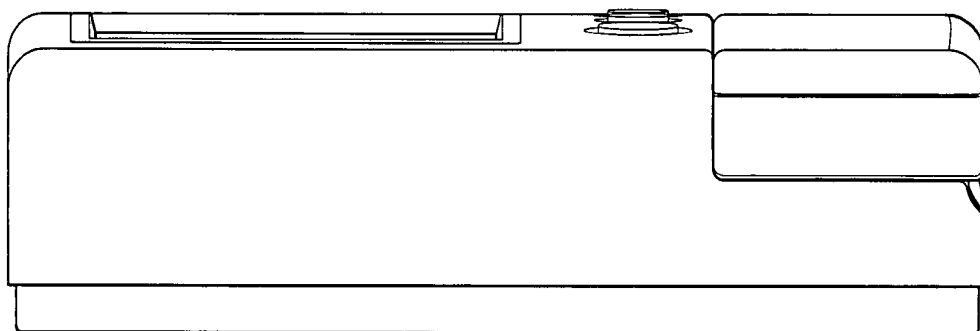
*Fig. 3*



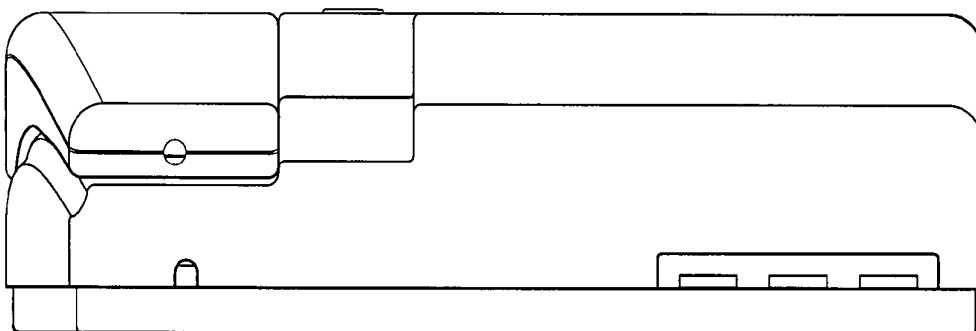
*Fig. 4*



*Fig. 5*



*Fig. 6*



*Fig. 7*





US00D569819S

(12) **United States Design Patent** (10) **Patent No.:** **US D569,819 S**  
**Rinaldi et al.** (45) **Date of Patent:** **\*\* May 27, 2008**

(54) **VIDEO-INTERCOMMUNICATION APPARATUS** D355,191 S 2/1995 Meurer  
 5,475,741 A \* 12/1995 Davis et al. .... 379/102.06  
 D381,638 S \* 7/1997 Kruse et al. .... D14/342  
 D391,254 S 2/1998 Rosati et al.  
 D425,875 S \* 5/2000 Wilson ..... D14/307  
 D437,588 S 2/2001 Jauregui et al.  
 D457,866 S 5/2002 Matsui et al.  
 D466,882 S \* 12/2002 Matsui et al. .... D14/159  
 D494,955 S 8/2004 Guerrero et al.  
 D495,313 S 8/2004 Guerrero et al.  
 D500,751 S \* 1/2005 Yukikado et al. .... D14/159  
 D505,127 S \* 5/2005 Yoshida et al. .... D14/159  
 D519,100 S \* 4/2006 Shioya et al. .... D14/159

(75) Inventors: **Alessandra Rinaldi**, Florence (IT);  
**Yoko Tanabe**, Florence (IT)

(73) Assignee: **BPT S.p.A.**, Sesto Reghena (IT)

(\*\*) Term: **14 Years**

(21) Appl. No.: **29/291,597**

(22) Filed: **Sep. 6, 2007**

**Related U.S. Application Data**

(62) Division of application No. 29/265,304, filed on Aug. 29, 2006, now Pat. No. Des. 564,476.

(51) **LOC (8) Cl.** ..... **14-03**  
 (52) **U.S. Cl.** ..... **D14/130**  
 (58) **Field of Classification Search** ..... D14/130,  
 D14/147-151, 140-142, 434, 329, 330, 447,  
 D14/240, 241, 251, 253; 379/420.01-420.04,  
 379/419, 428.01-428.04, 454, 440, 434,  
 379/435, 446; 320/110, 113-115; D13/107,  
 D13/108

See application file for complete search history.

(56) **References Cited**

**U.S. PATENT DOCUMENTS**

3,521,008 A 7/1970 Tyson  
 D246,103 S 10/1977 Taylor  
 D283,130 S \* 3/1986 Boenning ..... D14/159  
 D298,828 S 12/1988 Miozzo

\* cited by examiner

*Primary Examiner*—Terry A Wallace

(74) *Attorney, Agent, or Firm*—Greer, Burns & Crain, Ltd.

(57) **CLAIM**

The ornamental design for video-intercommunication apparatus, as shown and described.

**DESCRIPTION**

FIG. 1 is a top perspective view of the video-intercommunication apparatus showing our new design;

FIG. 2 is a front view thereof;

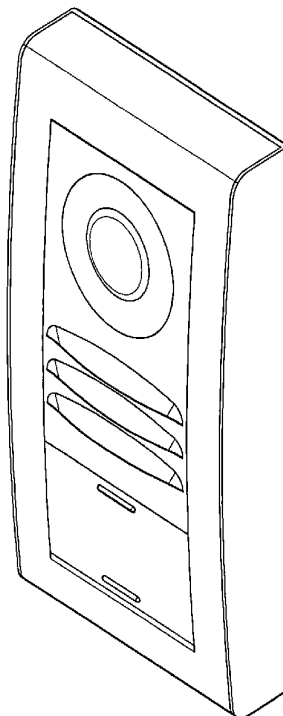
FIG. 3 is a right side view thereof;

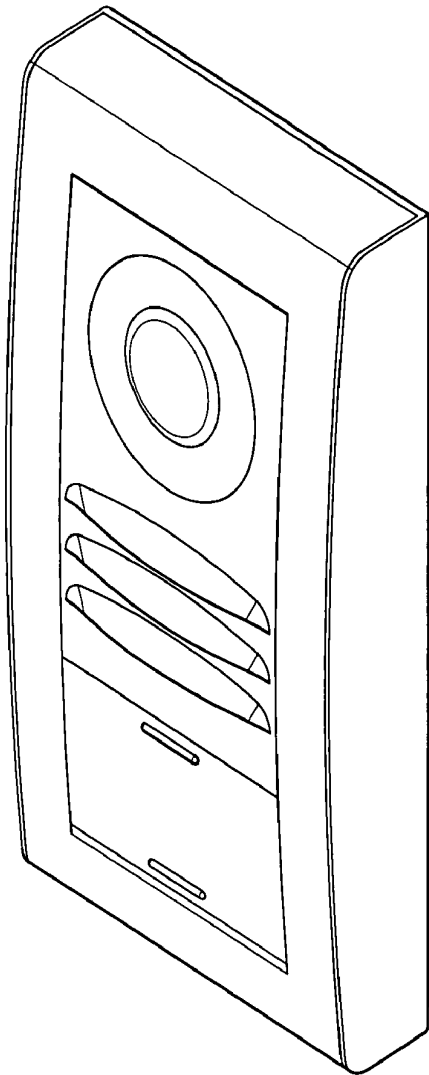
FIG. 4 is a left side view thereof;

FIG. 5 is a plan view from above thereof; and,

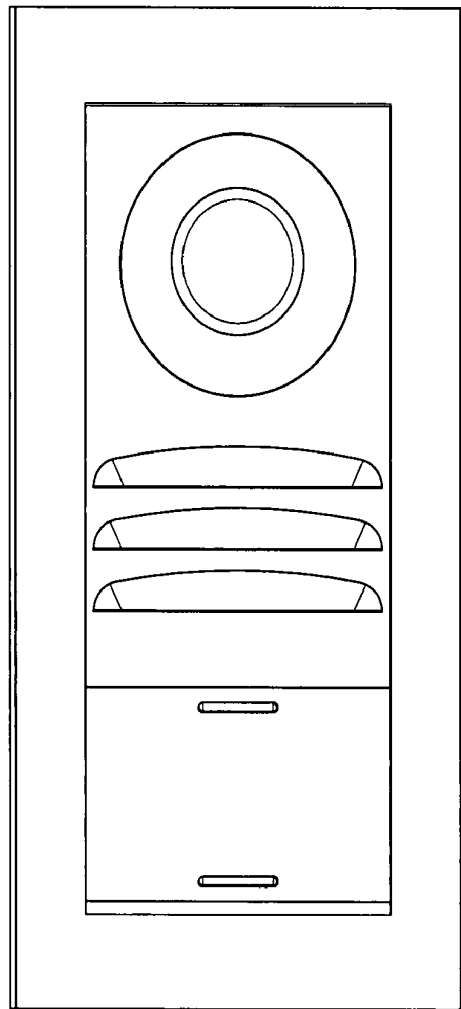
FIG. 6 is a plan view from below thereof.

**1 Claim, 3 Drawing Sheets**

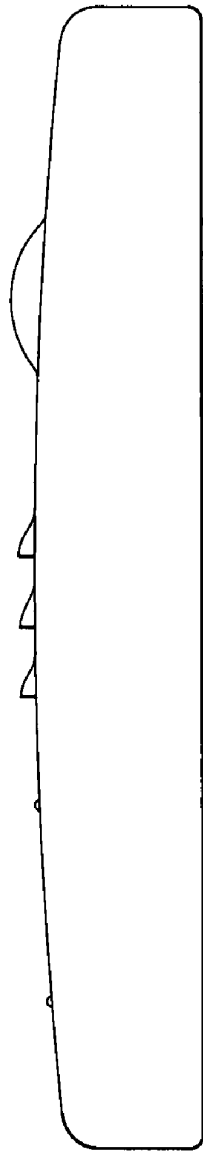




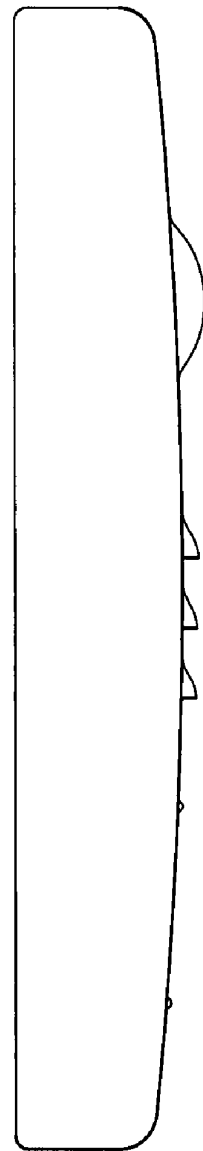
*Fig. 1*



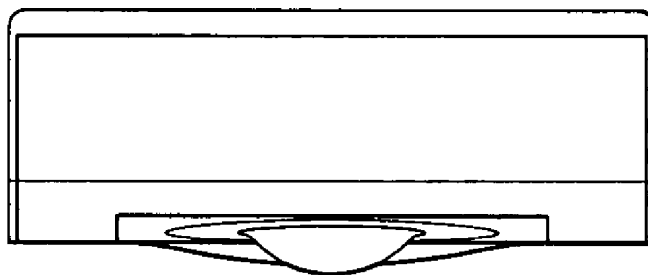
*Fig. 2*



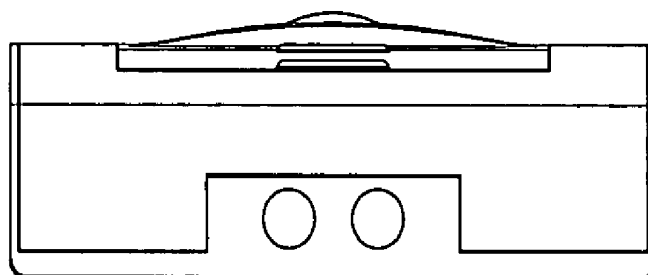
*Fig. 3*



*Fig. 4*



*Fig. 5*



*Fig. 6*

**Espacenet****Bibliographic data: USD564476 (S1) — 2008-03-18**

---

**Intercommunication apparatus****Inventor(s):** RINALDI ALESSANDRA [IT]; TANABE YOKO [IT] ±**Applicant(s):** BPT SPA [IT] ±**Classification:**  
- **international:**  
- **European:****Application number:** US20060265304F 20060829**Priority number(s):** IT2006TV00008F 20060314**Abstract not available for USD564476 (S1)**

Last updated: 14.03.2012 Worldwide Database 5.7.38; 93p

**Espacenet****Bibliographic data: USD496034 (S1) — 2004-09-14**

---

**Home automation terminal**

**Inventor(s):** GUERRERA CARLO [IT]; FACCHIN ADRIANO [IT]; RINALDI ALESSANDRA [IT] ±

**Applicant(s):** BPT SPA [IT] ±

**Classification:**  
- **international:**  
- **European:**

**Application number:** US20030187139F 20030728

**Priority number (s):** IT2003PD00006F 20030128

**Also published as:** [USD494583 \(S1\)](#) [USD494943 \(S1\)](#) [USD499705 \(S1\)](#)  
[USD495313 \(S1\)](#) [USD494955 \(S1\)](#)

**Abstract not available for USD496034 (S1)**

Last updated: 14.03.2012 Worldwide Database 5.7.38; 93p



US00D494583S1

(12) **United States Design Patent** (10) **Patent No.:** **US D494,583 S**  
**Guerrera et al.** (45) **Date of Patent:** **\*\* Aug. 17, 2004**

(54) **HOME AUTOMATION TERMINAL**

D454,565 S \* 3/2002 Harriman ..... D14/374  
D458,252 S \* 6/2002 Palm et al. .... D14/343  
D458,602 S \* 6/2002 Hasegawa et al. .... D14/374

(75) Inventors: **Carlo Guerrera**, Pordenone (IT);  
**Adriano Facchin**, Azzano Decimo (IT);  
**Alessandra Rinaldi**, Firenze (IT)

\* cited by examiner

(73) Assignee: **BPT S.p.A.**, Cinto Caomaggiore (IT)

*Primary Examiner*—Freda S. Nunn

(\*\*) Term: **14 Years**

(74) *Attorney, Agent, or Firm*—RatnerPrestia

(21) Appl. No.: **29/187,096**

(22) Filed: **Jul. 28, 2003**

(57) **CLAIM**

The ornamental design for a home automation terminal, substantially as shown and described.

(30) **Foreign Application Priority Data**

**DESCRIPTION**

Jan. 28, 2003 (IT) ..... PD2003O0006

FIG. 1 is a perspective view of a home automation terminal according to the present invention;

(51) **LOC (7) Cl.** ..... **14-02**

FIG. 2 is a front view of the home automation terminal shown in FIG. 1 ;

(52) **U.S. Cl.** ..... **D14/336; D14/371**

FIG. 3 is a left side view of the home automation terminal shown in FIG. 1;

(58) **Field of Search** ..... D14/341-346,  
D14/337, 374, 125-129; 341/12; 345/104,  
156, 168, 173, 901-905; 348/180, 184,  
325, 739; 349/1, 2, 11, 62; D18/12.3; 709/200

FIG. 4 is a bottom view of the home automation terminal shown in FIG. 1; and,

(56) **References Cited**

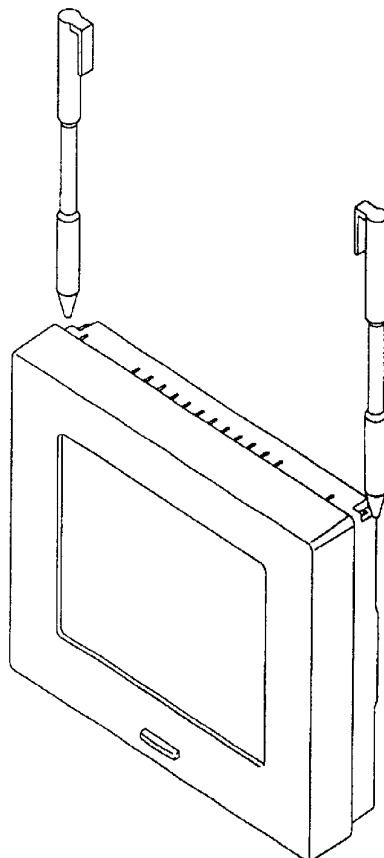
FIG. 5 is a top view of the home automation terminal shown in FIG. 1.

**U.S. PATENT DOCUMENTS**

The left side (FIG. 3) and the right side of the home automation terminal according to the invention are mirror images of one another.

D356,548 S \* 3/1995 Bottcher et al. .... D14/341  
D357,495 S \* 4/1995 Skaggs et al. .... D18/12.3  
5,964,830 A \* 10/1999 Durrett ..... 709/200

**1 Claim, 1 Drawing Sheet**



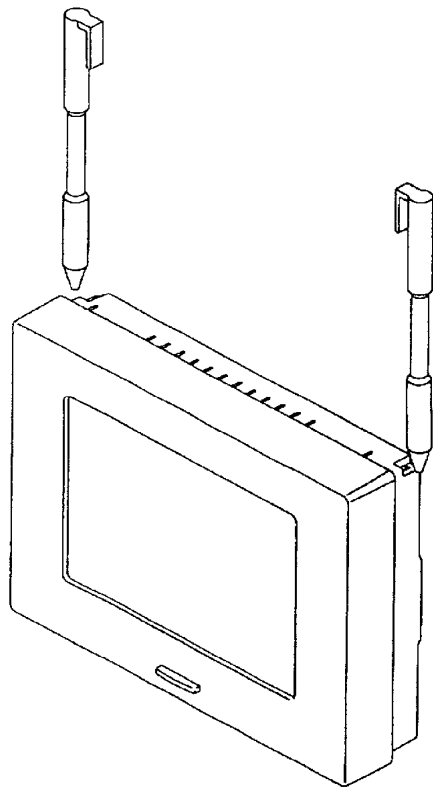


FIG. 1

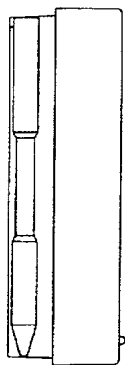


FIG. 3

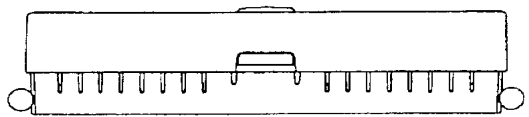


FIG. 5

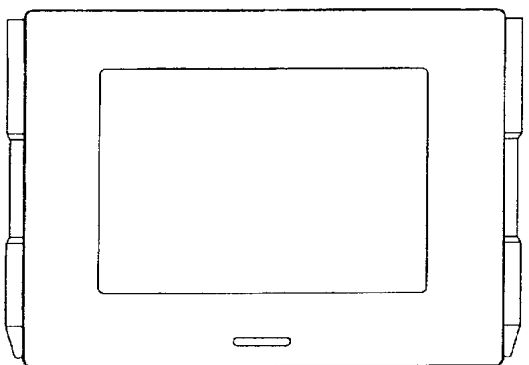


FIG. 2

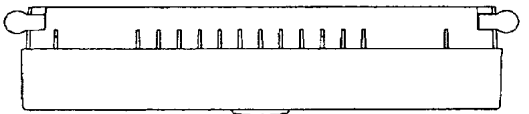


FIG. 4





US00D495313S1

(12) **United States Design Patent** (10) **Patent No.:** **US D495,313 S**  
**Guerrera et al.** (45) **Date of Patent:** **\*\* Aug. 31, 2004**

(54) **INTERCOMMUNICATION SYSTEM**

(75) Inventors: **Carlo Guerrera**, Pordenone (IT);  
**Adriano Facchin**, Azzano Decimo (IT);  
**Alessandra Rinaldi**, Florence (IT)

(73) Assignee: **BPT S.p.A.**, Cinto Caomaggiore (IT)

(\*\*) Term: **14 Years**

(21) Appl. No.: **29/187,119**

(22) Filed: **Jul. 28, 2003**

(30) **Foreign Application Priority Data**

Jan. 28, 2003 (IT) ..... PD2003O0006

(51) **LOC (7) Cl.** ..... **14-03**

(52) **U.S. Cl.** ..... **D14/149; D14/148**

(58) **Field of Search** ..... **D14/137, 434,**  
**D14/138, 447, 148, 147, 149-151, 140-142,**  
**240, 241, 251-253, 451, 144; 379/426,**  
**434-436, 419, 420.01-420.04, 428.01-428.04,**  
**440, 454, 455, 446; 455/550.1-90.3; D13/107,**  
**108; D21/517**

(56) **References Cited**

**U.S. PATENT DOCUMENTS**

- D211,737 S \* 7/1968 Dreyfuss ..... D14/151
- 3,521,008 A \* 7/1970 Tyson ..... 379/434
- D219,029 S \* 10/1970 Dreyfuss ..... D14/148
- D246,103 S \* 10/1977 Taylor ..... D14/138
- D276,157 S \* 10/1984 Marshall ..... D14/148
- D277,377 S \* 1/1985 Tarao et al. .... D14/148
- D286,150 S \* 10/1986 Cooke et al. .... D14/149
- D286,283 S \* 10/1986 Nichols ..... D14/138
- D287,721 S \* 1/1987 Perkins ..... D14/151
- D293,237 S \* 12/1987 Brown ..... D14/148
- D298,827 S \* 12/1988 Miozzo ..... D14/149
- D298,828 S \* 12/1988 Miozzo ..... D14/149
- D316,548 S \* 4/1991 Yeung ..... D14/144
- D324,681 S \* 3/1992 Klucznik et al. .... D14/151
- D324,682 S \* 3/1992 Renard et al. .... D14/151

- D331,759 S \* 12/1992 Renard ..... D14/151
- D355,191 S \* 2/1995 Meurer ..... D14/149
- D369,601 S \* 5/1996 Tomoike ..... D14/149
- D369,799 S \* 5/1996 Kong et al. .... D14/149
- D377,172 S \* 1/1997 Zeitman ..... D14/150
- D378,588 S \* 3/1997 Tanaka ..... D14/150
- D391,254 S \* 2/1998 Rosati et al. .... D14/148
- D392,969 S \* 3/1998 Margalit et al. .... D14/149
- D426,820 S \* 6/2000 Zeitman ..... D14/148
- D435,531 S \* 12/2000 Isonaga ..... D14/149
- D437,588 S \* 2/2001 Jauregui et al. .... D14/148
- D457,866 S \* 5/2002 Matsui et al. .... D14/148
- D481,698 S \* 11/2003 Yamada et al. .... D14/149

**FOREIGN PATENT DOCUMENTS**

- WO DM/053006 \* 8/2000
- WO DM/056673 \* 7/2001
- WO DM/057499 \* 8/2001
- WO DM/061041 \* 6/2002
- WO DM/062992 \* 11/2002

\* cited by examiner

*Primary Examiner*—Jeffrey Asch  
(74) *Attorney, Agent, or Firm*—RatnerPrestia

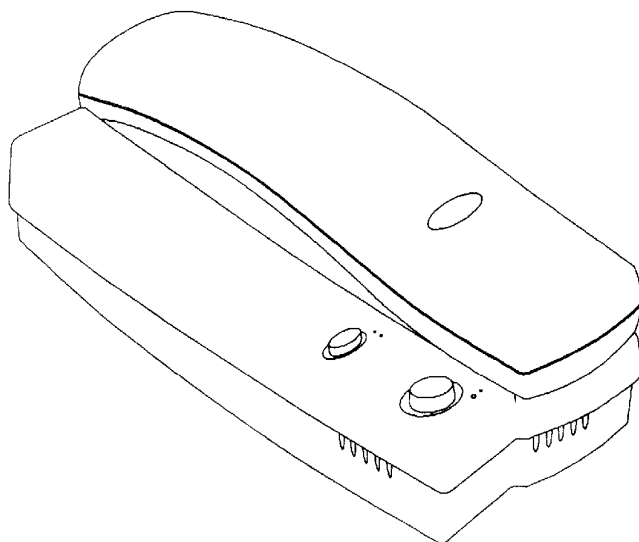
(57) **CLAIM**

The ornamental design for an intercommunication system, substantially as shown and described.

**DESCRIPTION**

FIG. 1 is a perspective view of an intercommunication system according to the present invention;  
FIG. 2 is a front view of the intercommunication system shown in FIG. 1;  
FIG. 3 is a left side view of the intercommunication system shown in FIG. 1;  
FIG. 4 is a right side view of the intercommunication system shown in FIG. 1; and,  
FIG. 5 is a bottom view of the intercommunication system shown in FIG. 1.

**1 Claim, 1 Drawing Sheet**



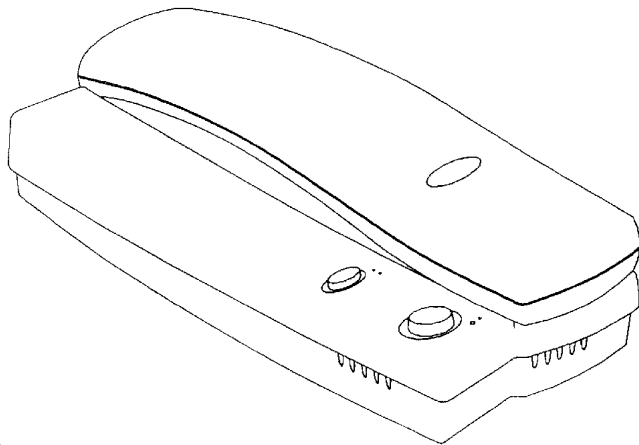


Fig. 1

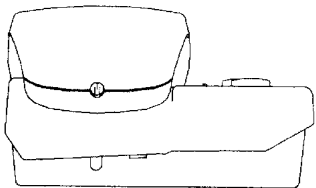


Fig. 5

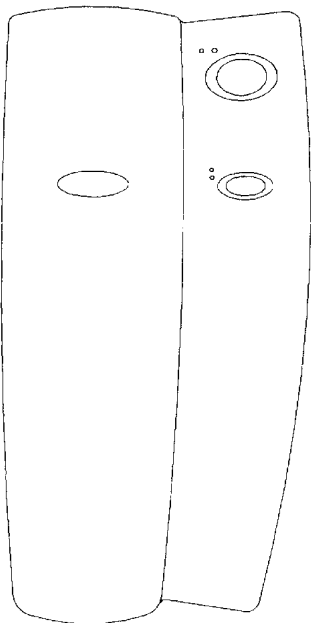


Fig. 2

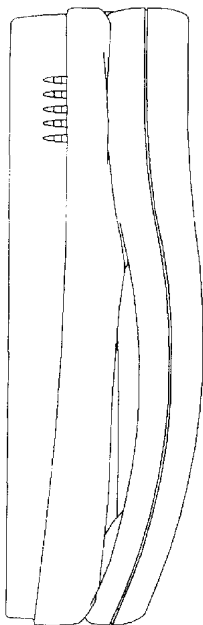


Fig. 3

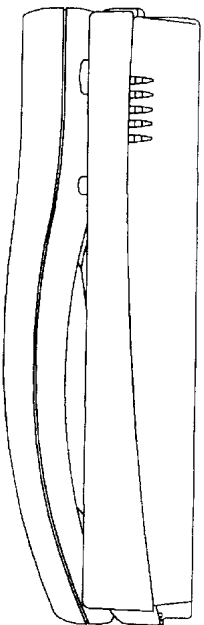


Fig. 4



US00D494955S1

(12) **United States Design Patent** (10) **Patent No.:** **US D494,955 S**  
**Guerrera et al.** (45) **Date of Patent:** **\*\* Aug. 24, 2004**

(54) **INTERCOMMUNICATION SYSTEM**

(75) Inventors: **Carlo Guerrera**, Pordenone (IT);  
**Adriano Facchin**, Azzano Decimo (IT);  
**Alessandra Rinaldi**, Florence (IT)

(73) Assignee: **BPT S.p.A.**, Cinto Caomaggiore (IT)

(\*\*) Term: **14 Years**

(21) Appl. No.: **29/187,116**

(22) Filed: **Jul. 28, 2003**

(30) **Foreign Application Priority Data**

Jan. 28, 2003 (IT) ..... PD2003O0006

(51) **LOC (7) Cl.** ..... **14-03**

(52) **U.S. Cl.** ..... **D14/149; D14/148**

(58) **Field of Search** ..... D14/137, 434,  
D14/138, 447, 148, 147, 149-151, 140-142,  
240, 241, 251-253, 451, 144; 379/426,  
434-436, 419, 420.01-420.04, 428.01-428.04,  
440, 454, 455, 446; 455/550.1-90.3; D13/107,  
108; D21/517

(56) **References Cited**

**U.S. PATENT DOCUMENTS**

- D211,737 S \* 7/1968 Dreyfuss ..... D14/151
- 3,521,008 A \* 7/1970 Tyson ..... 379/434
- D219,029 S \* 10/1970 Dreyfuss ..... D12/148
- D246,103 S \* 10/1977 Taylor ..... D14/138
- D276,157 S \* 10/1984 Marshall ..... D14/148
- D277,377 S \* 1/1985 Tarao et al. .... D14/148
- D277,571 S \* 2/1985 Cooke et al. .... D14/149
- D286,150 S \* 10/1986 Cooke et al. .... D14/149
- D286,283 S \* 10/1986 Nichols ..... D14/138
- D287,721 S \* 1/1987 Perkins ..... D14/151
- D293,237 S \* 12/1987 Brown ..... D14/148
- D298,827 S \* 12/1988 Miozzo ..... D14/149
- D298,828 S \* 12/1988 Miozzo ..... D14/149
- D316,548 S \* 4/1991 Yeung ..... D14/144
- D324,681 S \* 3/1992 Klucznik et al. .... D14/151
- D324,682 S \* 3/1992 Renard et al. .... D14/151
- D331,759 S \* 12/1992 Renard ..... D14/151
- D355,191 S \* 2/1995 Meurer ..... D14/149

- D369,799 S \* 5/1996 Kong et al. .... D14/149
- D377,172 S \* 1/1997 Zeitman ..... D14/150
- D378,588 S \* 3/1997 Tanaka ..... D14/150
- D384,663 S \* 10/1997 Solomita et al. .... D14/141.1
- D388,084 S \* 12/1997 Hung ..... D14/149
- D391,254 S \* 2/1998 Rosati et al. .... D14/148
- D392,969 S \* 3/1998 Margalit et al. .... D14/149
- D412,502 S \* 8/1999 Fuke et al. .... D14/148
- D426,820 S \* 6/2000 Zeitman ..... D14/148
- D435,531 S \* 12/2000 Isonaga ..... D14/149
- D437,588 S \* 2/2001 Jauregui et al. .... D14/148
- D457,866 S \* 5/2002 Matsui et al. .... D14/148
- D481,698 S \* 11/2003 Yamada et al. .... D14/149

**FOREIGN PATENT DOCUMENTS**

- WO DM/053006 \* 8/2000
- WO DM/056673 \* 7/2001
- WO DM/057499 \* 8/2001
- WO DM/061041 \* 6/2002
- WO DM/062992 \* 11/2002

**OTHER PUBLICATIONS**

US D396,601, 8/1998, Tomoike (withdrawn)\*

\* cited by examiner

*Primary Examiner*—Jeffrey Asch

(74) *Attorney, Agent, or Firm*—RatnerPrestia

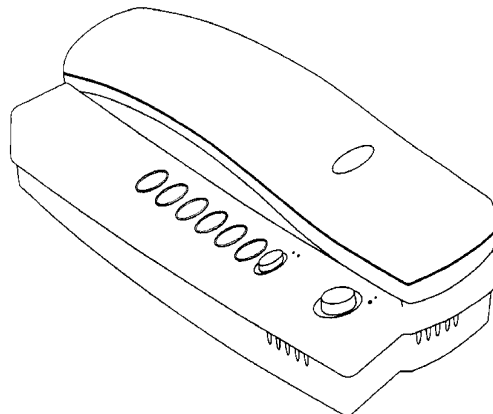
(57) **CLAIM**

The ornamental design for an intercommunication system, substantially as shown and described.

**DESCRIPTION**

FIG. 1 is a perspective view of an intercommunication system according to the present invention;  
 FIG. 2 is a front view of the intercommunication system shown in FIG. 1;  
 FIG. 3 is a left side view of the intercommunication system shown in FIG. 1;  
 FIG. 4 is a right side view of the intercommunication system shown in FIG. 1; and,  
 FIG. 5 is a bottom view of the intercommunication system shown in FIG. 1.

**1 Claim, 1 Drawing Sheet**



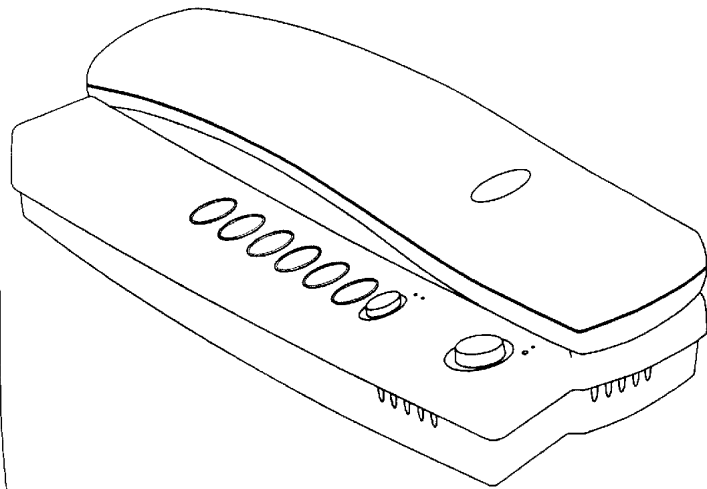


Fig. 1

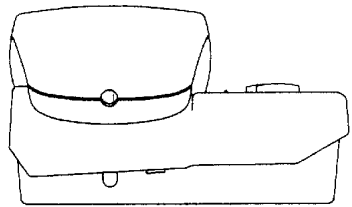


Fig. 5

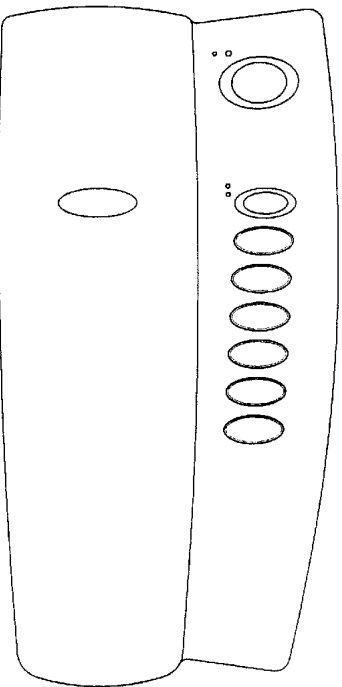


Fig. 2

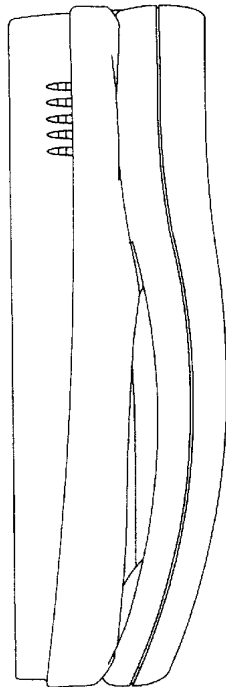


Fig. 3

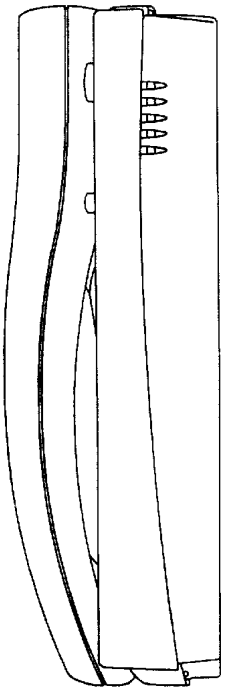


Fig. 4

USPTO PATENT FULL-TEXT AND IMAGE DATABASE

[Home](#) [Quick](#) [Advanced](#) [Pat Num](#) [Help](#)  
[Hit List](#) [Previous](#) [Next](#) [Bottom](#)  
[View Cart](#) [Add to Cart](#)  
[Images](#)

( 6 of 11 )

---

**United States Patent** **D499,705**  
**Guerrera , et al.** **December 14, 2004**

---

Video communication system

---

**Claims**

---

The ornamental design for a video communication system, substantially as shown and described.

---

**Inventors:** **Guerrera; Carlo** (Pordenone, IT), **Facchin; Adriano** (Azzano Decimo, IT), **Rinaldi; Alessandra** (Florence, IT)  
**Assignee:** **BPT S.p.A.** (Cinto Caomaggiore, IT)  
**Appl. No.:** **D/187,117**  
**Filed:** **July 28, 2003**

---

**Foreign Application Priority Data**

---

Jan 28, 2003 [IT]

PD2003O0006

**Current U.S. Class:** **D14/130 ; D14/149**  
**Current International Class:** 1403  
**Field of Search:** D14/137,434,138,447,148,147,149-151,140-142,240,241,141.1,141.2,251-253,329-330,451,144,130 379/426,434-436,419,420.01-420.04,428.01-428.04,440,454,455,446 455/550.1-90.3 D13/107,108 D21/517 348/14.01



US00D494943S1

(12) **United States Design Patent** (10) **Patent No.:** **US D494,943 S**  
**Guerrera et al.** (45) **Date of Patent:** **\*\* Aug. 24, 2004**

(54) **VIDEO COMMUNICATION SYSTEM**

(75) Inventors: **Carlo Guerrera**, Pordenone (IT);  
**Adriano Facchin**, Azzano Decimo (IT);  
**Alessandra Rinaldi**, Florence (IT)

(73) Assignee: **BPT S.p.A.**, Cinto Caomaggiore (IT)

(\*\*) Term: **14 Years**

(21) Appl. No.: **29/187,118**

(22) Filed: **Jul. 28, 2003**

(30) **Foreign Application Priority Data**

Jan. 28, 2003 (IT) ..... PD200300006

(51) **LOC (7) Cl.** ..... **14-03**

(52) **U.S. Cl.** ..... **D14/130; D14/149**

(58) **Field of Search** ..... D14/137, 434,  
D14/138, 447, 148, 147, 149-151, 140-142,  
240, 241, 251-253, 329-330, 451, 144,  
130; 379/426, 434-436, 419, 420.01-420.04,  
428.01-428.04, 440, 454, 455, 446; 455/550.1-90.3;  
D13/107, 108; D21/517; 348/14.01

(56) **References Cited**

**U.S. PATENT DOCUMENTS**

- D211,737 S \* 7/1968 Dreyfuss ..... D14/151
- 3,521,008 A \* 7/1970 Tyson ..... 379/434
- D219,029 S \* 10/1970 Dreyfuss ..... D14/148
- D270,155 S \* 8/1983 Shimizu ..... D14/151
- D277,571 S \* 2/1985 Cooke et al. .... D14/149
- D284,003 S \* 5/1986 Tamura ..... D14/142
- D286,283 S \* 10/1986 Nichols ..... D14/138
- D287,721 S \* 1/1987 Perkins ..... D14/151
- D307,430 S \* 4/1990 Desbarats ..... D14/151
- D316,548 S \* 4/1991 Yeung ..... D14/144
- D316,833 S \* 5/1991 Miozzo ..... D14/130
- D318,051 S \* 7/1991 Danielson et al. .... D14/149
- D319,826 S \* 9/1991 Hung ..... D14/142
- D331,759 S \* 12/1992 Renard ..... D14/151
- D339,132 S \* 9/1993 Roegner ..... D14/151
- D339,342 S \* 9/1993 Chan ..... D14/149
- D355,652 S \* 2/1995 Lee et al. .... D14/149

- D361,999 S \* 9/1995 Roegner ..... D14/149
- D366,483 S \* 1/1996 Major ..... D14/149
- D369,601 S \* 5/1996 Tomoike ..... D14/149
- D375,740 S \* 11/1996 Mergenthaler et al. .... D14/151
- D378,588 S \* 3/1997 Tanaka ..... D14/150
- D380,469 S \* 7/1997 Biskup et al. .... D14/149
- D384,663 S \* 10/1997 Solomita et al. .... D14/149
- D388,084 S \* 12/1997 Hung ..... D14/149
- D408,817 S \* 4/1999 Ishibashi ..... D14/149
- D411,987 S \* 7/1999 Mizusugi et al. .... D14/329
- D412,502 S \* 8/1999 Fuke et al. .... D14/148
- D421,603 S \* 3/2000 Meurer ..... D14/130
- D435,530 S \* 12/2000 Christensen et al. .... D14/146
- D452,489 S \* 12/2001 Nagase ..... D14/151
- D457,866 S \* 5/2002 Matsui et al. .... D14/148
- D481,698 S \* 11/2003 Yamada et al. .... D14/149

**FOREIGN PATENT DOCUMENTS**

- WO DM/053006 \* 8/2000
- WO DM/056673 \* 7/2001
- WO DM/057499 \* 8/2001
- WO DM/061041 \* 6/2002
- WO DM/062992 \* 11/2002

\* cited by examiner

*Primary Examiner*—Jeffrey Asch

(74) *Attorney, Agent, or Firm*—RatnerPrestia

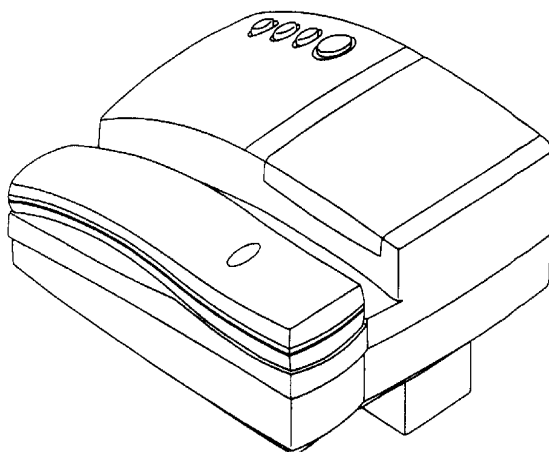
(57) **CLAIM**

The ornamental design for a video communication system, substantially as shown and described.

**DESCRIPTION**

FIG. 1 is a perspective view of a video communication system according to the present invention;  
 FIG. 2 is a front view of the video communication system shown in FIG. 1;  
 FIG. 3 is a left side view of the video communication system shown in FIG. 1;  
 FIG. 4 is a right side view of the video communication system shown in FIG. 1; and,  
 FIG. 5 is a bottom view of the video communication system shown in FIG. 1.

**1 Claim, 1 Drawing Sheet**



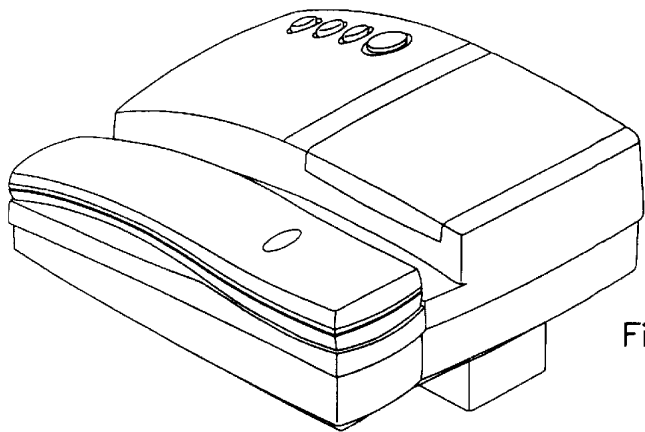


Fig. 1

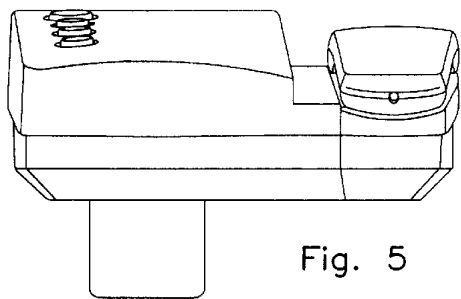


Fig. 5

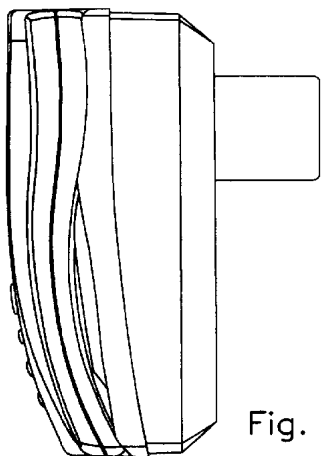


Fig. 4

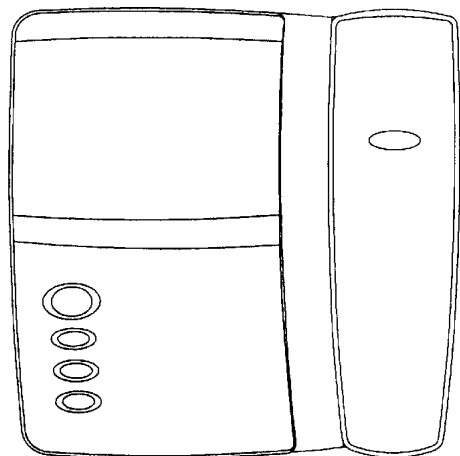


Fig. 2

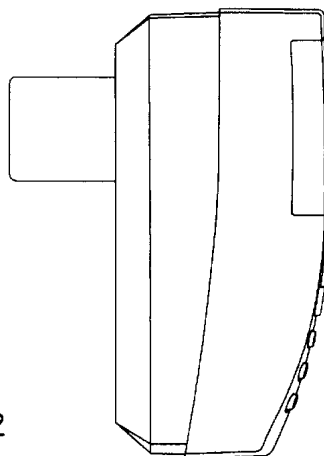


Fig. 3