



US00D494943S1

(12) **United States Design Patent** (10) **Patent No.:** **US D494,943 S**
Guerrera et al. (45) **Date of Patent:** **** Aug. 24, 2004**

(54) **VIDEO COMMUNICATION SYSTEM**

(75) Inventors: **Carlo Guerrera**, Pordenone (IT);
Adriano Facchin, Azzano Decimo (IT);
Alessandra Rinaldi, Florence (IT)

(73) Assignee: **BPT S.p.A.**, Cinto Caomaggiore (IT)

(**) Term: **14 Years**

(21) Appl. No.: **29/187,118**

(22) Filed: **Jul. 28, 2003**

(30) **Foreign Application Priority Data**

Jan. 28, 2003 (IT) PD200300006

(51) **LOC (7) Cl.** **14-03**

(52) **U.S. Cl.** **D14/130; D14/149**

(58) **Field of Search** D14/137, 434,
D14/138, 447, 148, 147, 149-151, 140-142,
240, 241, 251-253, 329-330, 451, 144,
130; 379/426, 434-436, 419, 420.01-420.04,
428.01-428.04, 440, 454, 455, 446; 455/550.1-90.3;
D13/107, 108; D21/517; 348/14.01

(56) **References Cited**

U.S. PATENT DOCUMENTS

- D211,737 S * 7/1968 Dreyfuss D14/151
- 3,521,008 A * 7/1970 Tyson 379/434
- D219,029 S * 10/1970 Dreyfuss D14/148
- D270,155 S * 8/1983 Shimizu D14/151
- D277,571 S * 2/1985 Cooke et al. D14/149
- D284,003 S * 5/1986 Tamura D14/142
- D286,283 S * 10/1986 Nichols D14/138
- D287,721 S * 1/1987 Perkins D14/151
- D307,430 S * 4/1990 Desbarats D14/151
- D316,548 S * 4/1991 Yeung D14/144
- D316,833 S * 5/1991 Miozzo D14/130
- D318,051 S * 7/1991 Danielson et al. D14/149
- D319,826 S * 9/1991 Hung D14/142
- D331,759 S * 12/1992 Renard D14/151
- D339,132 S * 9/1993 Roegner D14/151
- D339,342 S * 9/1993 Chan D14/149
- D355,652 S * 2/1995 Lee et al. D14/149

- D361,999 S * 9/1995 Roegner D14/149
- D366,483 S * 1/1996 Major D14/149
- D369,601 S * 5/1996 Tomoike D14/149
- D375,740 S * 11/1996 Mergenthaler et al. D14/151
- D378,588 S * 3/1997 Tanaka D14/150
- D380,469 S * 7/1997 Biskup et al. D14/149
- D384,663 S * 10/1997 Solomita et al. D14/149
- D388,084 S * 12/1997 Hung D14/149
- D408,817 S * 4/1999 Ishibashi D14/149
- D411,987 S * 7/1999 Mizusugi et al. D14/329
- D412,502 S * 8/1999 Fuke et al. D14/148
- D421,603 S * 3/2000 Meurer D14/130
- D435,530 S * 12/2000 Christensen et al. D14/146
- D452,489 S * 12/2001 Nagase D14/151
- D457,866 S * 5/2002 Matsui et al. D14/148
- D481,698 S * 11/2003 Yamada et al. D14/149

FOREIGN PATENT DOCUMENTS

- WO DM/053006 * 8/2000
- WO DM/056673 * 7/2001
- WO DM/057499 * 8/2001
- WO DM/061041 * 6/2002
- WO DM/062992 * 11/2002

* cited by examiner

Primary Examiner—Jeffrey Asch

(74) *Attorney, Agent, or Firm*—RatnerPrestia

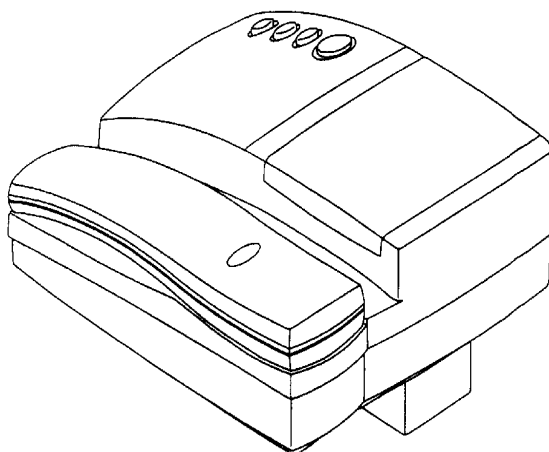
(57) **CLAIM**

The ornamental design for a video communication system, substantially as shown and described.

DESCRIPTION

FIG. 1 is a perspective view of a video communication system according to the present invention;
 FIG. 2 is a front view of the video communication system shown in FIG. 1;
 FIG. 3 is a left side view of the video communication system shown in FIG. 1;
 FIG. 4 is a right side view of the video communication system shown in FIG. 1; and,
 FIG. 5 is a bottom view of the video communication system shown in FIG. 1.

1 Claim, 1 Drawing Sheet



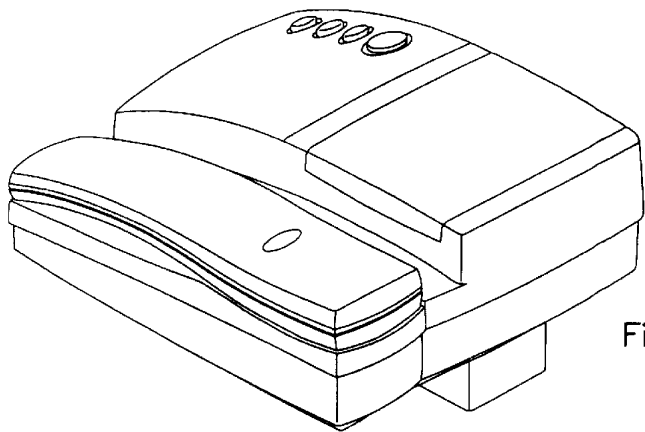


Fig. 1

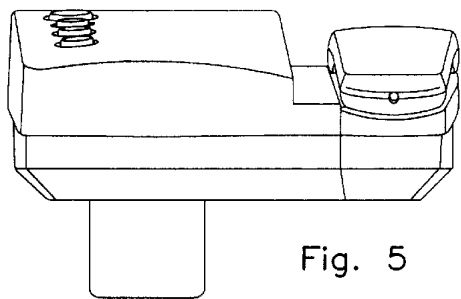


Fig. 5

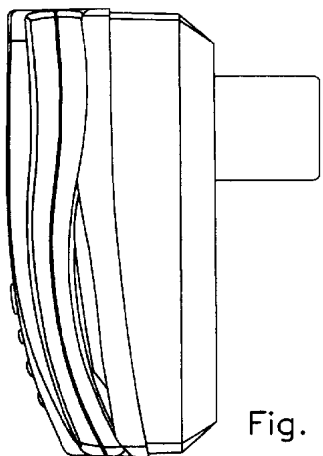


Fig. 4

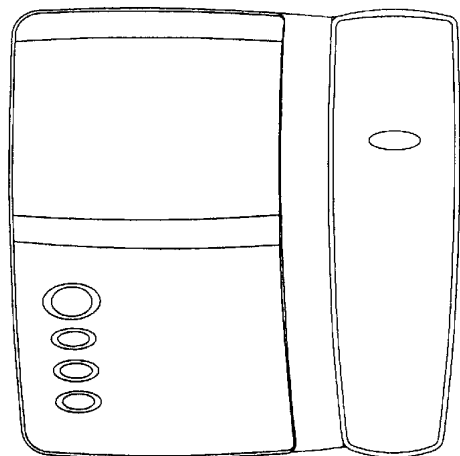


Fig. 2

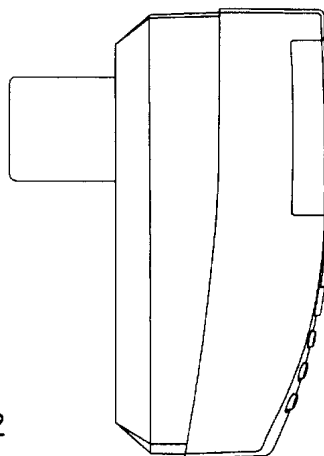


Fig. 3