



US00D494583S1

(12) **United States Design Patent** (10) **Patent No.:** **US D494,583 S**  
**Guerrera et al.** (45) **Date of Patent:** **\*\* Aug. 17, 2004**

(54) **HOME AUTOMATION TERMINAL**

D454,565 S \* 3/2002 Harriman ..... D14/374  
D458,252 S \* 6/2002 Palm et al. .... D14/343  
D458,602 S \* 6/2002 Hasegawa et al. .... D14/374

(75) Inventors: **Carlo Guerrera**, Pordenone (IT);  
**Adriano Facchin**, Azzano Decimo (IT);  
**Alessandra Rinaldi**, Firenze (IT)

\* cited by examiner

(73) Assignee: **BPT S.p.A.**, Cinto Caomaggiore (IT)

*Primary Examiner*—Freda S. Nunn

(\*\*) Term: **14 Years**

(74) *Attorney, Agent, or Firm*—RatnerPrestia

(21) Appl. No.: **29/187,096**

(22) Filed: **Jul. 28, 2003**

(57) **CLAIM**

The ornamental design for a home automation terminal, substantially as shown and described.

(30) **Foreign Application Priority Data**

**DESCRIPTION**

Jan. 28, 2003 (IT) ..... PD2003O0006

FIG. 1 is a perspective view of a home automation terminal according to the present invention;

(51) **LOC (7) Cl.** ..... **14-02**

FIG. 2 is a front view of the home automation terminal shown in FIG. 1 ;

(52) **U.S. Cl.** ..... **D14/336; D14/371**

FIG. 3 is a left side view of the home automation terminal shown in FIG. 1;

(58) **Field of Search** ..... D14/341-346,  
D14/337, 374, 125-129; 341/12; 345/104,  
156, 168, 173, 901-905; 348/180, 184,  
325, 739; 349/1, 2, 11, 62; D18/12.3; 709/200

FIG. 4 is a bottom view of the home automation terminal shown in FIG. 1; and,

(56) **References Cited**

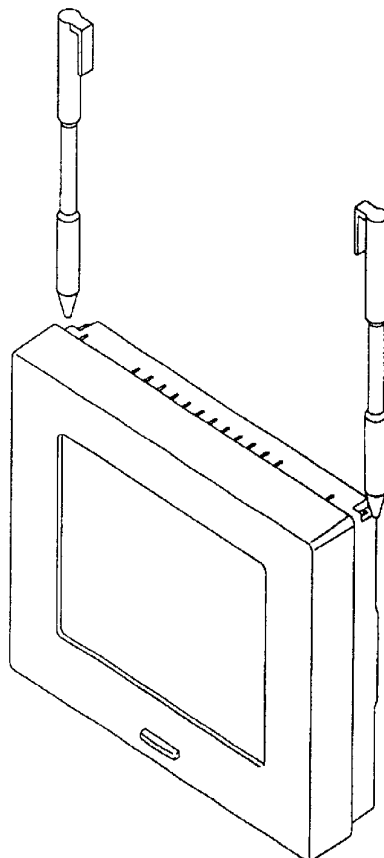
FIG. 5 is a top view of the home automation terminal shown in FIG. 1.

**U.S. PATENT DOCUMENTS**

The left side (FIG. 3) and the right side of the home automation terminal according to the invention are mirror images of one another.

D356,548 S \* 3/1995 Bottcher et al. .... D14/341  
D357,495 S \* 4/1995 Skaggs et al. .... D18/12.3  
5,964,830 A \* 10/1999 Durrett ..... 709/200

**1 Claim, 1 Drawing Sheet**



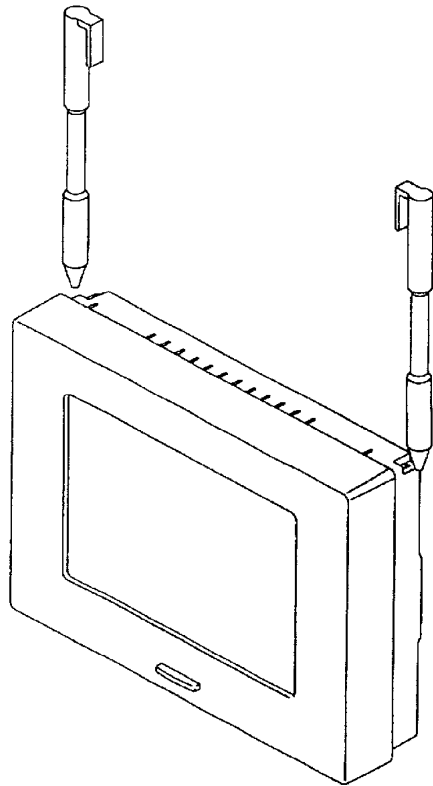


FIG. 1

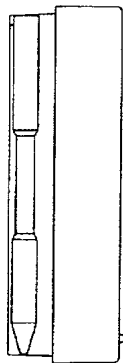


FIG. 3

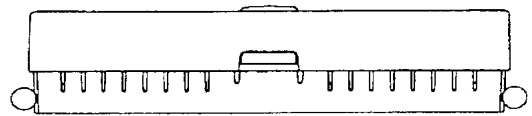


FIG. 5

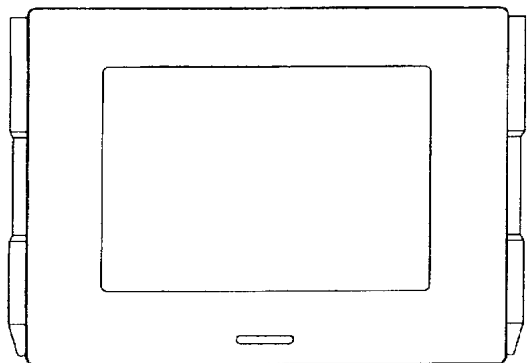


FIG. 2

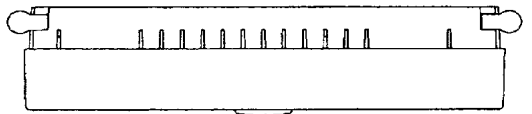


FIG. 4